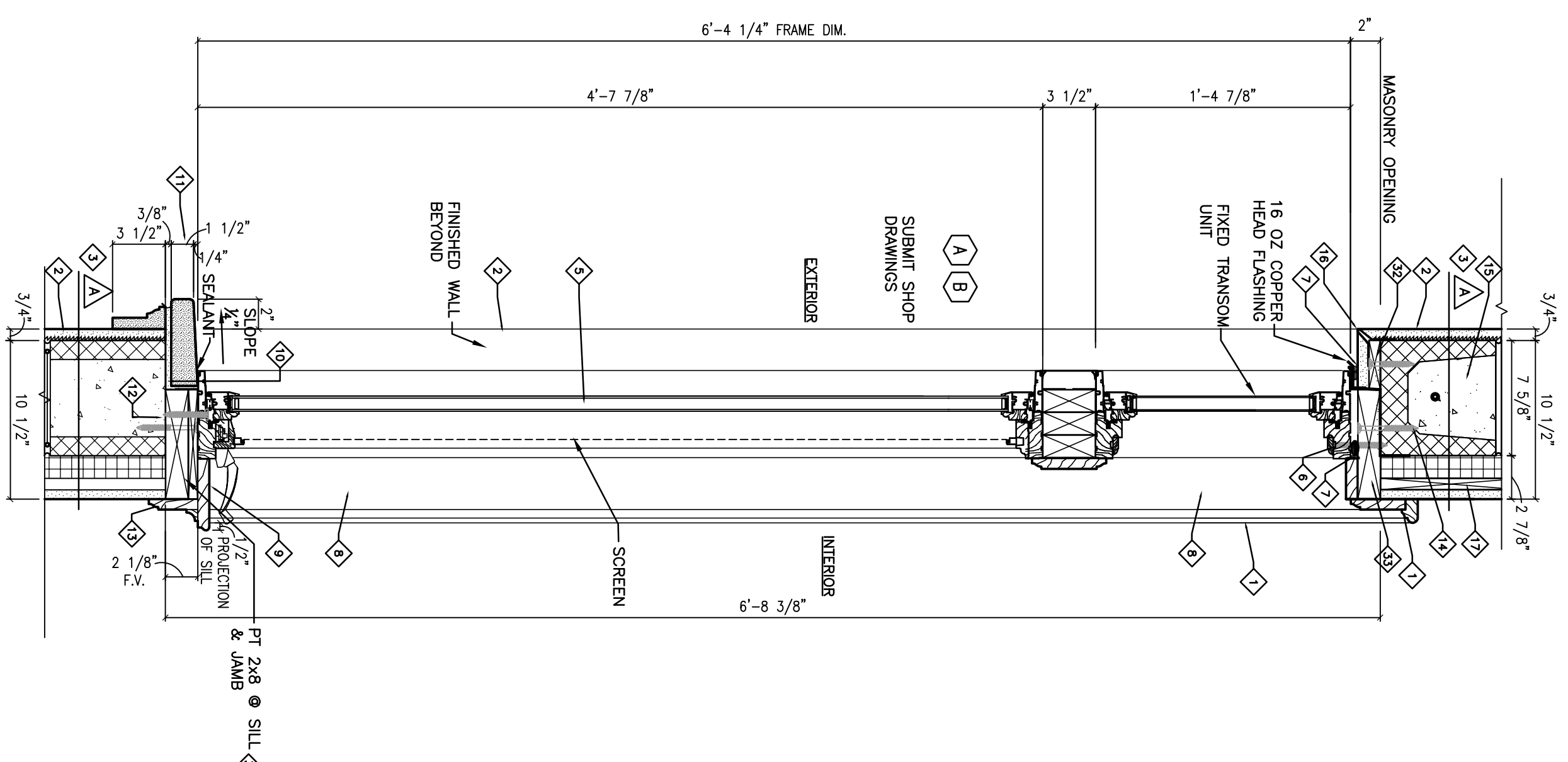
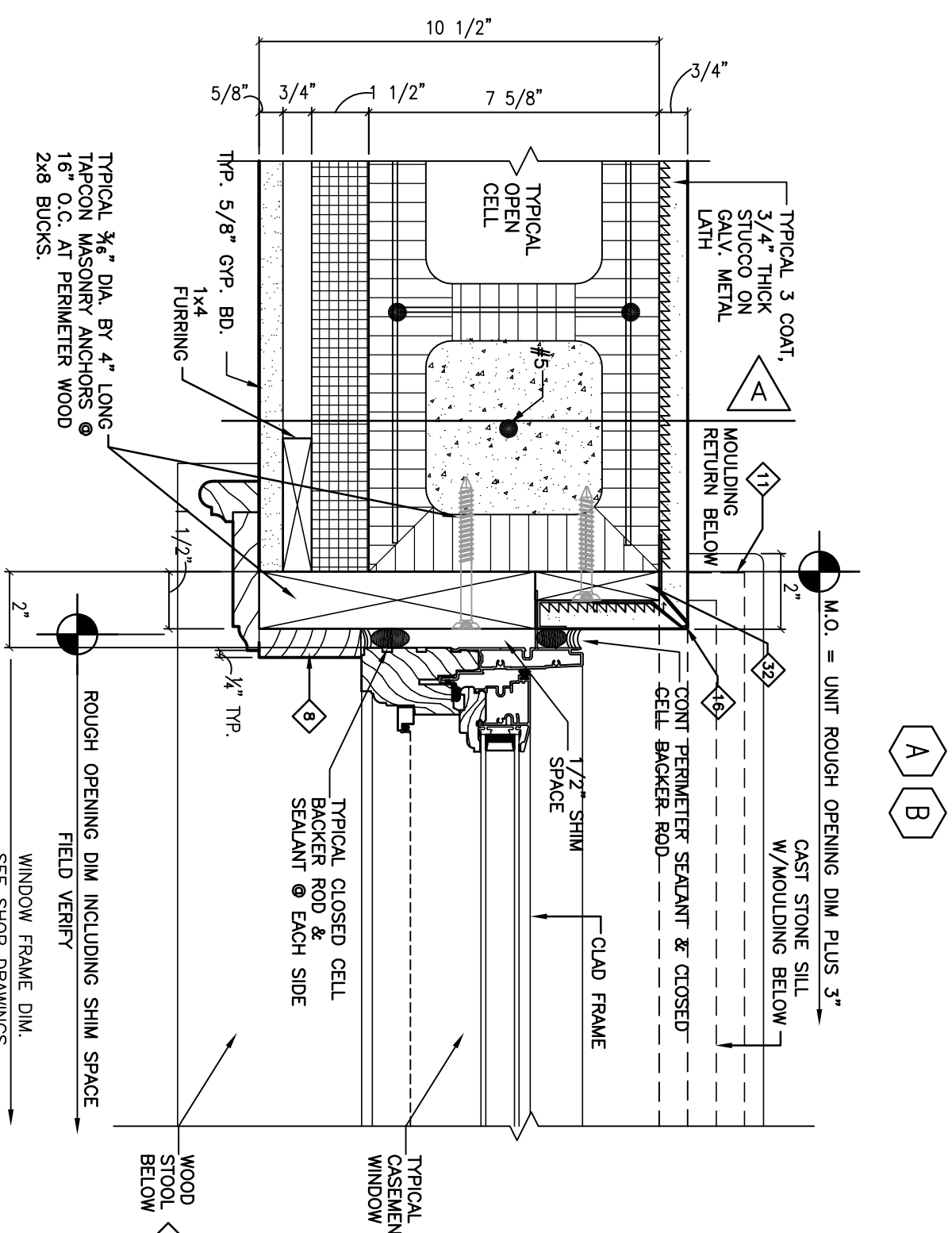


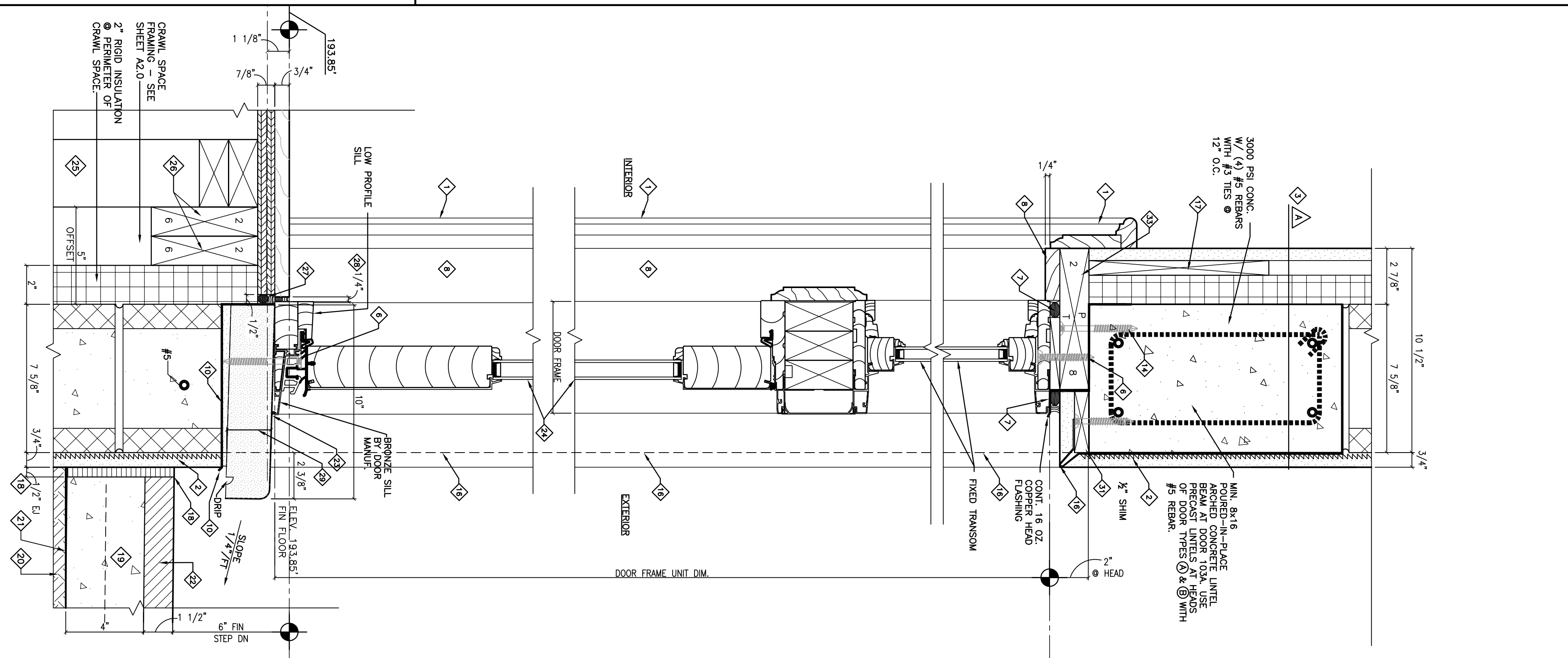
LIBRARY 003
A FIXED WINDOW DETAIL
 SCALE: 3" = 1'-0"



LIBRARY 004
B MATCH EXISTING WINDOW SILL
 SCALE: 1-1/2" = 1'-0"



LIBRARY 005
D JAMB DETAIL
 SCALE: 3" = 1'-0"



LIBRARY 006
C DOOR HEAD & SILL
 SCALE: 3" = 1'-0"

- WINDOW & DOOR KENNOTES SHEET A8.1:**
- 1 NEW WOOD DOOR & WINDOW CASINGS TO MATCH EXISTING. CASINGS AT LIBRARY 103 SHALL BE VERTICAL GRAIN WHITE OAK TO MATCH BOCKKASIES. UNLESS NOTED OTHERWISE, ALL OTHER CASINGS SHALL BE POPULAR FOR FIELD PAINTED FINISH.
 - 2 3/4" THICK, 3 COAT STUCCO OVER PVC OR GALV. METAL LATH.
 - 3 SEE TYPICAL EXTERIOR WALL TYPE "X" SHEET A5.0.
 - 4 CLAD FIXED WINDOW - SEE SCHEDULE SHEET A8.0.
 - 5 STAINLESS STEEL ANCHOR SCREWS AT 16" O.C. MIN. 1-3/4" PENETRATION INTO 2" BY WOOD BLOCK. SEE TYPICAL ANCHOR DETAIL SHEET A8.0.
 - 6 CONTINUOUS PERIMETER SEALANT AND CLOSED CELL BACKER ROD.
 - 7 WOOD JAMB EXTENSIONS AS REQUIRED BY C.C.
 - 8 TYPICAL WOOD STUCCO BELOW TO MATCH EXISTING WINDOW STUCCO. BASIS OF REQUIREMENT IS S&S DEPARTMENT SS-1701.
 - 9 1-1/2" THICK, PROVIDE EXTENSIONS AT EACH SIDE FOR CASINGS.
 - 10 YORK 7 OZ. FLEXIBLE COPPER THRU-WALL SILL AND END DAW FLASHING. PROVIDE DRIP EDGE WHERE INDICATED.
 - 11 PRECAST STONE SILL TO MATCH SHAPE OF EXISTING SILL.
 - 12 YORK MULTI FLASH 500 SERIES, 7 OZ. (GREEN) FLASHING & DRIP.
 - 13 WOOD SHIRT TO MATCH CASING. INSTALL COVE MOULD UNDER WINDOW STUCCO.
 - 14 TYPICAL 3/16" DIA. BY 4" LONG TAPCON MASONRY ANCHORS @ 16" O.C. AT PERIMETER OF 2" BY 8 WOOD BLOCKS.
 - 15 TYPICAL PRECAST UNITEL AT HEAD OF ALL STRAIGHT WINDOW AND DOOR OPENINGS. FILL WITH 3000 PSI CONCRETE AND (1) #5 REBAR. PROVIDE SEALANT AND TIE INTO VERTICAL REBARS AT EACH SIDE OF OPENING.
 - 16 STUCCO AT JAMB RETURN - INSTALL PLASTIC COMPONENTS, INC. #18 PVC CORNER BOD WITH 1-1/2" X 1-1/2" LESS.
 - 17 PT 1X10 AT DOOR & WINDOW HEADS.
 - 18 1/2" EXPANSION JOINT & SEALANT BETWEEN SLAB AND WALL CENTER.
 - 19 4" THICK 3000 PSI CONCRETE SLAB WITH 6X6, W1.4 X W1.4 WWF AT CENTER.
 - 20 SOIL POISONED & COMPACTED FILL.
 - 21 10 MIL GIFFULIN (GREEN) OR APPROVED ALTERNATE VAPOR BARRIER BELOW SLAB LAP JOINTS 6" AND CONTINUOUS TAPE SEAL.
 - 22 SET TRUSS 5" FROM PARALLEL WALL.
 - 23 ENGINEERED & PREFABRICATED OPEN WEB WOOD FLOOR TRUSS SEE A2.0 SHEET A8.0.
 - 24 OUTSWING WOOD/CLAD EXTERIOR DOOR UNIT - SEE SCHEDULE SHEET A8.0.
 - 25 SEALANT - CONTINUOUS AT THRESHOLD TO PRECAST SILL.
 - 26 MEMBRANE SYSTEM PER MANUFACTURER'S INSTRUCTIONS.
 - 27 1/2" PERIMETER EXPANSION GAP AT 7/8" THICK PLYWOOD SUBFLOOR.
 - 28 1/4" GAP AT FINISHED WOOD FLOORING TO DOOR SILL.
 - 29 1/4" GAP AT FINISHED WOOD FLOORING TO DOOR SILL. INSTALL CLOSED CELL BACKER ROD AND SEALANT.
 - 30 2-1/4" THICK BY 10" WIDE PRECAST STONE SILL WITH ROUNDED EXTERIOR EDGE AND DRIP. SET MORING SET SILL WITH 1/4" SLOPE TO EXTENSION.
 - 31 REBAR SECOND COURSE OF KNOCK-OUT BLOCK BOND BEAM WITH PRECAST UNITEL AT HEAD OF WINDOW TYPE C. SEE PRECAST UNITEL KENNOTE #15.
 - 32 PT 1 BY WALKER FASTENED TO PRECAST WINDOW UNITEL WITH 3/16" X 16" O.C. OR AT EACH BOARD FOR ARCHED BEAM.
 - 33 2 1/2" TAPCONS @ 16" O.C.
 - 34 PT 2X8 WINDOW BLOCK. SET INSIDE EDGE 2-7/8" OUT FROM MASONRY WALL.